

Radiators RPSD and RPLD

Series RPSD and RPLD are consisting of radiators with double row of axial fans, suitable to be used in refrigeration, air conditioning and process cooling installations..

Thanks wide range of models with different noise level and dimensions this range of radiators fulfill every customer needs.

It is also available in configuration with double coil to cool the fluid of circuit of high and low temperature for engines.



Capacity range from 515 to 3490 kW (operating conditions air temperature +35 °C, water temperature +80/+60 °C).

Casing

The frame design provides high rigidity.

Casing manufactured from galvanized steel powder painted colour RAL 9002, corrosion resistant.

All rivets and bolts are in stainless steel AISI 304.

Heat exchanger

Heat exchanger is equipped with suspending tubes system that avoid the contact between tubes and frame and it provides full protection of the heat exchanger against vibrations and thermal expansions.

The coil is realized with copper pipes and aluminium fins.

PS 16 bar and TS -40 / +120 °C, according to standard PED 2014/68/EU.

Fans

High efficiency fans provide high performances with limited power consumption. They are complete of thermal protection, protection grid according to EN ISO 13857, dynamically and statically balanced and according to ErP directive.

AC and EC fans are available with diameter 910 mm with motors with external rotor, insulation class F, standard protection degree IP 54 (EN 60529).

Noise level from 50 dB(A) at 10 m (EN 13487).

Standards

The products are designed and manufactured according to following EU Directive:

- PED 2014/68/UE
- 2006/42/CE (Machinery Directive)
- 2014/35/UE (LVD Directive)
- 2014/30/UE (EMC Directive)

Options

- Fins spacing 2,1 – 2,3 – 2,5 – 3,0 – 4,0 – 4,5 mm
- Special fans for application with high static residual pressure
- ATEX fan
- Stainless steel pipes AISI 304 or AISI 316L
- Plane aluminium fins for easier cleaning
- Copper fins
- Stainless steel fins AISI 304 o AISI 316L
- Epoxy coated Aluminium fins
- Protective coating on coil
- Vertical air flow installation kit
- Vibration dampers
- Switch off for fans
- Controllers for AC fans speed regulation
- AC fans wiring
- Casing with special painting
- Stainless steel casing AISI 304 or AISI 316L
- Protection grid for coil against hailstorm

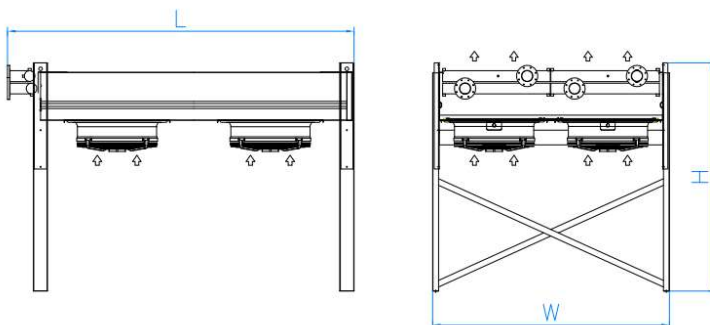
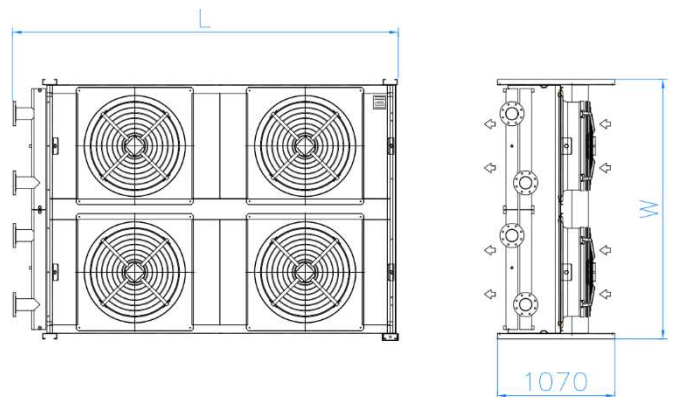
Code key

R	P	L	D	090	6	C	4	D	V
1	2	3	4	5	6	7	8	9	10

1. Refteco
2. Blowing fan
3. Length of coil (S = short, L = long)
4. Double row of fans
5. Fan diameter (mm)
6. Number of fans
7. Size of coil (number of rows)
8. Poles number of fans
9. Fans connection (D = triangle, Y = star)
10. Air flow direction (V = vertical, H = horizontal)

Dimensions

Number of fans	Dimensions RPSD (mm)		
	L	W	H
4	3372	2364	2300
6	4922	2364	2300
8	6472	2364	2300
10	8022	2364	2300
12	9572	2364	2300
14	11122	2364	2300



Number of fans	Dimensions RPLD (mm)		
	L	W	H
4	4072	2364	2300
6	5972	2364	2300
8	7872	2364	2300
10	9772	2364	2300
12	11672	2364	2300

Warranty

Products are granted, against any construction defect, for 24 months from shipping date. Damage caused by normal wear, corrosion, faulty assembly or maintenance are excluded.